

Staan®

MADE FOR THE WORLD



warrior
THE WINNER IN ALL WAYS

C-Arm Compatible
Multipurpose Electrical Table



Multipurpose electro mechanical operating table is ergonomically designed to bring out the versatility in the Operation theatre as per the surgical requirement. It is mobile, electrical operated surgical table for Ortho, Neuro, Spine, Cardio thoracic, Gastro Enterology, PCNL, Urology, Gynec, Lapro, Ophthalmic, ENT and General Surgeries



Electrical



Function



Zero function



Foot Brake



Override Panel (Optional)



Battery Backup (Optional)



Lapro and Gynae Surgeries



Sitting position and ENT surgeries compatible



C-Arm compatible PCNL, Pelvic Reconstruction and Vascular surgical positions



Spine Surgeries

Modular and stylish design

Smooth and jerk free movements

Versatile Usage Providing Maximum Comfort To The Patient And Surgeon

Blunted corners and smooth edges assures patient and user safety.

Side rails on both sides

250Kgs Dynamic weight bearing capacity

All the material are made of SS 304 and base is covered by Stainless Steel material

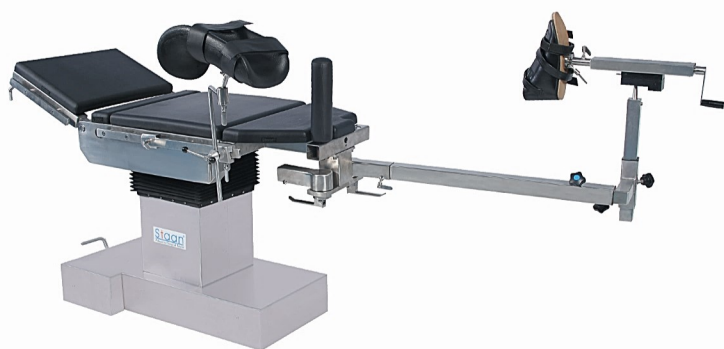
Scratch free Imported poly urethane twin disc castors

Self lubricating jerkless, weldless jointless steel column

Sealed bottom prevents water and dust from entering Inside

The table operates on 220V/5 Amps domestic power supply

Controllers, handsets, cables, actuators, override panels and batteries are all world class



The short traction arm can be folded in the sound leg side allowing non-obstructive C-Arm access



D.H.S Position



C-Arm compatible hanging tibial attachm



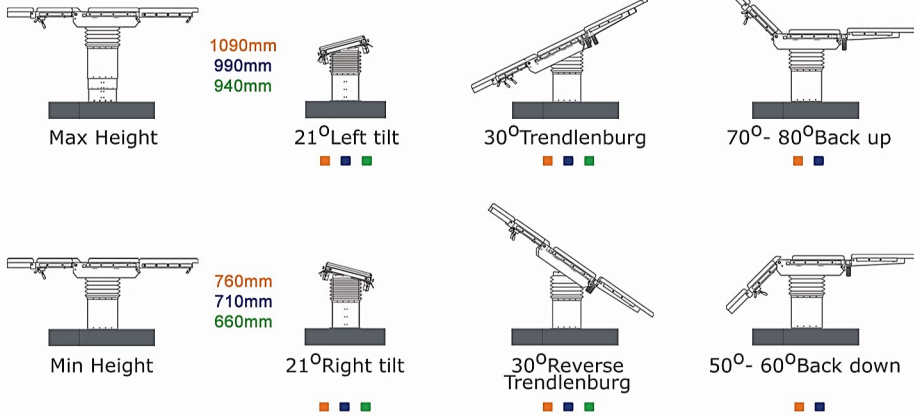
Jack Knife surgical positions for Kiney Surgeries

Technical Data

- Option 1
- Option 2
- Option 3

	OPTION 1	OPTION 2	OPTION 3
Mode	Normal height Electrically operated	Low height Electrically operated	Ultra low height Electrically operated
Specialization	MULTIPURPOSE Compatible for all surgeries including orthopaedic attachment	MULTIPURPOSE Compatible for all surgeries excluding orthopaedic traction attachment (due to height constraint)	LAPRO-GYNEC compatible for all Lapro GyneC surgeries

Electrical Movements



Manual Movements

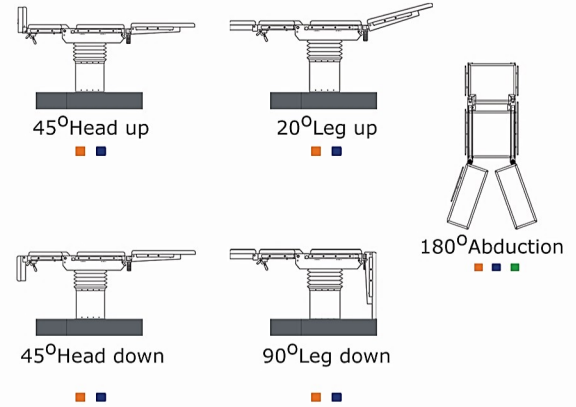
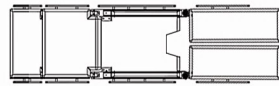


Table Top Dimensions

Length
More than 2000mm
(Varies depends on table top sections)



Width
550mm without side rails
600mm with side rails



Watch demo video @
"Staan" channel



Staan Bio-Med Engineering Private Limited

#190A, Bharathiar Road, Ganapathy, Coimbatore - 641 006, Tamilnadu, INDIA
Ph : +91 (422) 2531 008, 2533 806 | Mob : +91 93631 21030, 98422 19018
email : info@staan.in | Webiste : www.staan.in

We reserve the right to make alterations without prior notice due to continuous R & D.
Minor deviations in colors mentioned are possible due to technical reasons.